



F00009A

ESS Fuses Frame 4



Description

Socomec Frame 4 ESS series power fuses are specially engineered and tested to provide a premium protection in ESS and power distribution with currents from 630A to 1800A with a breaking capacity of 250kA.

General characteristics

- Rated voltage : 1500 Vdc
- Amp rating : 630A – 1800A
- Breaking capacity : 250kA
- Time constant : 10-15 ms
- Class : aR
- Type 4 in this datasheet is without microswitch
- Optional microswitch available 61S00001

Operating conditions

- T° : -40°C – 120°C
- Altitude -2000m / +5000m
- Humidity : <50% @ 40°C, max 90% @ 20°C

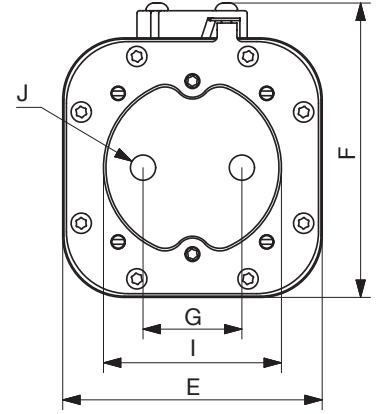
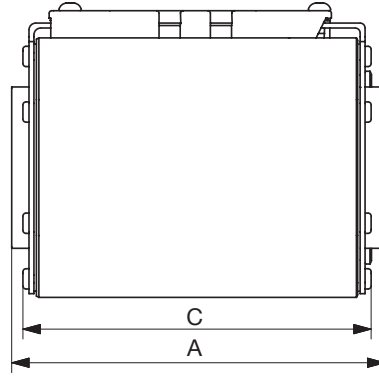
Standards

- UL : 248-1 / 248-13
- IEC : 60269-1 / 60269-4 / 60269-7
- 3rd part TUV for IEC certification
- RoHS and REACH compliant

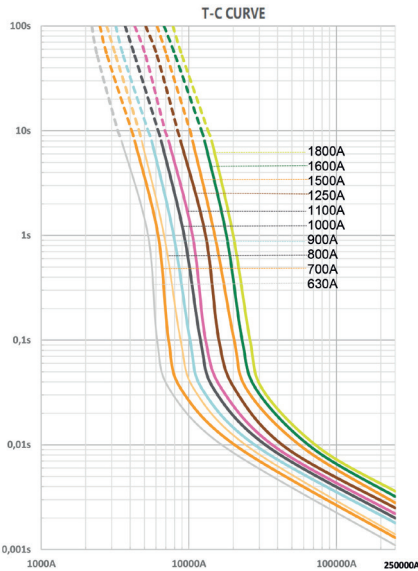
Rated current (A)	I²t (A²S)		Power Loss (W 100%)	Reference Flush	Package of
	Pre-Aciring	Total			
630	16 700	990 000	185	61S34063	2
700	189 000	1 270 000	196	61S34070	2
800	280 000	1 910 000	205	61S34080	2
900	436 500	2 890 000	209	61S34090	2
1000	644 163	4 190 000	213	61S34100	2
1100	796 700	4 879 000	238	61S34110	2
1250	1 106 600	7 370 000	248	61S34125	2
1500	1 870 000	12 140 000	293	61S34150	2
1600	2 278 000	14 580 000	294	61S34160	2
1800	3 154 589	20 470 000	325	61S34180	2

		Flush
A	in	5,98
	mm	152
B	in	/
	mm	/
B2	in	/
	mm	/
C	in	5,55
	mm	141
D	in	/
	mm	/
E	in	59,20
	mm	105
F	in	4,76
	mm	121
G	in	1,57
	mm	40
H	in	/
	mm	/
I	in	2,76
	mm	70
J	Bolt	M10

Mounting type 3 : Flush



Time current curves



Temperature derating

