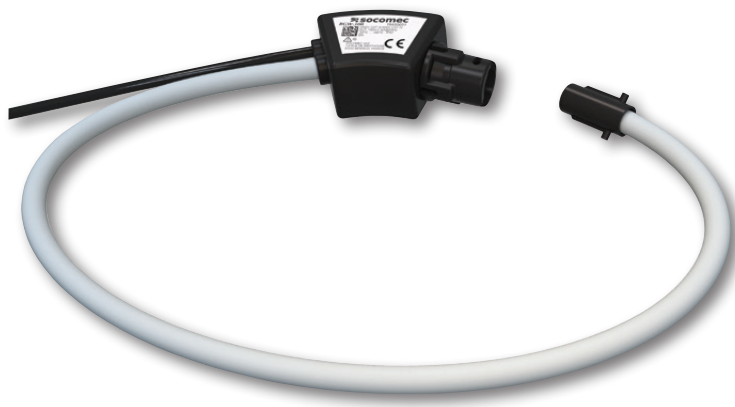


RGW sensors

Flexible current sensors

paired with RAC-1A



rac_003.eps

The solution for

- > Infrastructure & Transport
- > Industry



Strong points

- > Excellent accuracy
- > Secure locking
- > Installation

Conformity to standards

- > IEC 60529



- > IEC 61869-10

- > UKCA



Associated products



RAC-1A

Compatible with

- > COUNTIS
- > DIRIS

Function

RGW * flexible **current sensors** measure load currents and are especially suitable for existing installations. RGW sensors have an extended measurement range up to 5000A and a 6-diameter opening to provide the measurement solution to best meet your needs. It is possible to transmit the measurement signal to the counters and monitoring devices with 1A input(s).

** only compatible with the addition of the RAC-1A integrator*

Advantages

Excellent accuracy

Thanks to its technology, the range of RGW flexible current sensors boasts excellent linearity by reducing the position error to 1%.

Secure locking

The locking system prevents loops and guarantees sensor function and accuracy even in harsh environments.

Installation

The range of RGW flexible current sensors has been specially designed for existing installations with significant integration constraints or high-intensity currents.

General characteristics

- Paired with DIRIS A-30, A-41, A-60, Q800, COUNTIS E4X.

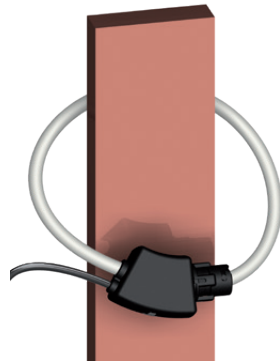
Installation

Cable mounting



dfiris-L_079.psd

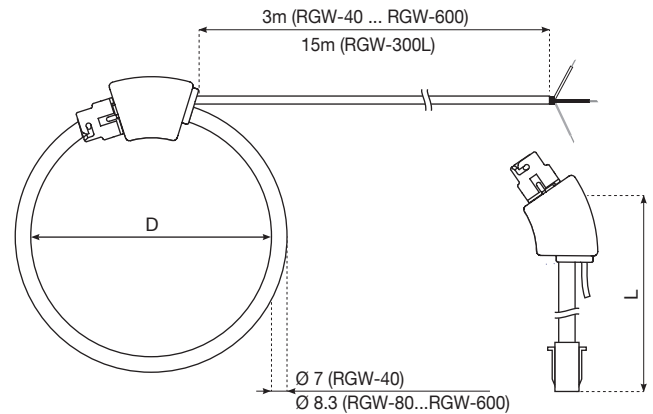
Bar mounting



dfiris-L_080.psd

Dimensions (mm)

RGW-40 et RGW-80 jusqu'à RGW-600



Characteristics

Model	RGW-40	RGW-80	RGW-120	RGW-200	RGW-300	RGW-600	RGW-300L
D= \varnothing loop (mm)	40	80	120	200	300	600	300
L=Loop length (mm)	126	251	377	628	942	1885	942
Weight (g)	114	130	142	162	193	274	350
Output cable length (m)	3						15
Nominal current range (A)	100...5000						
Real range covered (A)	5...6000						
Max voltage	1000V (Ph/Ph) / 600V (Ph/N)						
Rated withstand voltage	3,6 kV						
Accuracy class	Class 1						
Frequency	50/60 Hz						
Measurement category	1000 V CAT III, 600 V CAT IV						
Protection degree	IP68						
Operating temperature	-40...+75°C						
Storage temperature	-40...+90°C						
Relative humidity	95 % HR non-condensing						
Altitude	< 2000 m						
Connection	3 wires						

Reference

Model	Nominal current range (A) *	Real range covered (A) *	D= \varnothing loop (mm)	L=Loop Length (mm)	Reference
RGW-40	100...5000	5...6000	40	126	194S 0004
RGW-80			80	251	194S 0008
RGW-120			120	377	194S 0012
RGW-200			200	628	194S 0020
RGW-300			300	942	194S 0030
RGW-600			600	1885	194S 0060
RGW-300L			300	942	194S 0031

* setting the rated current with the associated RAC-1A