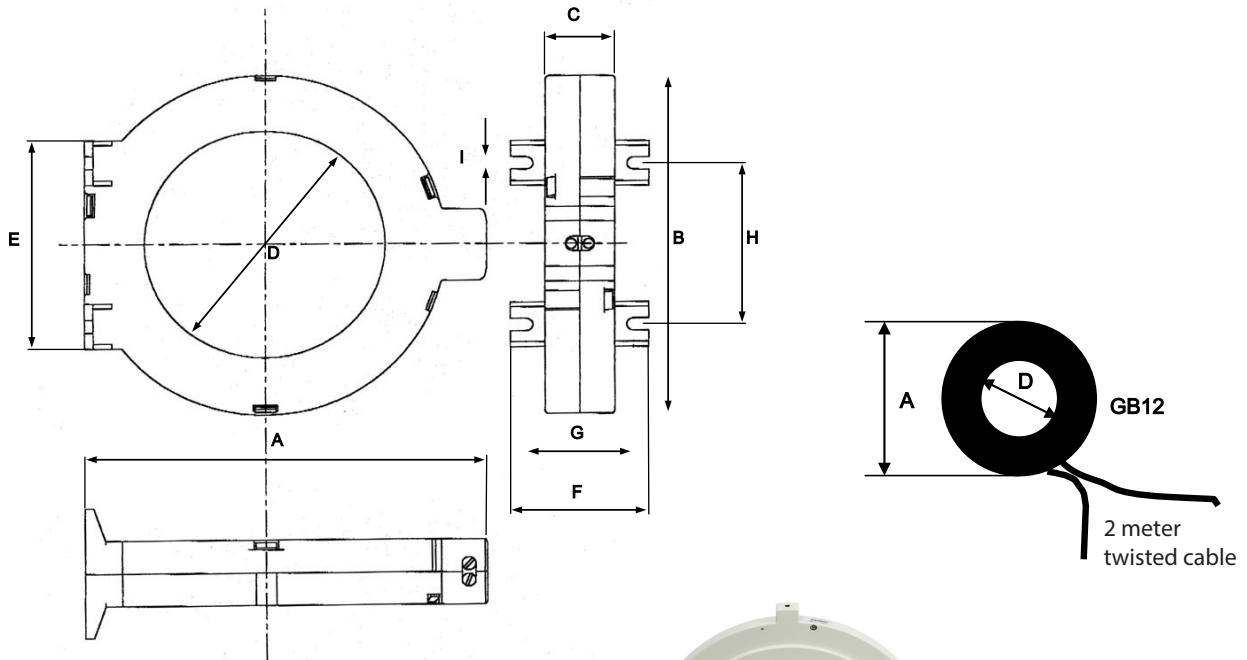


Residual current transformers for Megacon Earth Fault Monitoring Systems



Round solid type GB

Measurements in mm



Name	Art.no.	A	B	C	D	E	F	G	H	I
GB12	601299	∅ 33		12	12					
GB35	601302	74	64	20	35	64	40	31	50	4
GB50	601305	98	87	20	50	64	40	31	50	4
GB70	601303	117	105	20	70	64	40	31	50	4
GB120	601304	170	155	20	120	94	40	31	80	4
GB160	601307	255	240	33	160	150	90*	80*	130*	15*
GB210	601306	304	290	33	210	150	90*	80*	130*	15*

*Dimension including metal feet fitted for GB160 and GB210