



# User Manual

## MultiLog G2



MultiLog G2

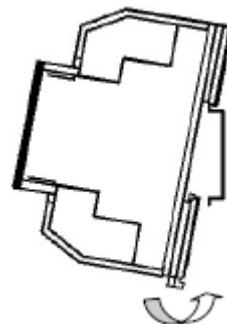
### Specifications

Storage capacity:	8 000	Data values/input (storage of 10 months hourly data)
Memory:	Flash	
Time base:	Minutes: 1-6, 10, 12, 15 and 30 Hours: 1-4, 6 and 12 Days: 1 and 7 Months: 1	
Communication:	Power Line (PLC): A-band/C-band Serial: RS232	
Power Supply:	1 x 100-230VAC, 3 x 400/230VAC 50-60Hz (90mA max) 12VDC (200mA max). The unit must be powered by a regulated power supply, limited to max 10VA and must be protected against overload, short-circuit and over-voltage.	
Inputs:	8 x S0-standard class-A or class-B 1 x digital input	
Output:	1 x 1A 230AC relay output	
Clock:	Real time clock (RTC) Backup supplied by super capacitor up to 7 days	
Dimensions:	W x H x D mm	140 x 90 x 60
	Weight:	360g

### Mounting

The MultiLog G2 case is designed for DIN-rail mounting only.

To mount the MultiLog G2 correctly, place the Multi-Log G2 against the DIN-rail and snap it into position as shown in the figure.



Megacon AB

Ranhammarsvägen 20 - 168 67 Bromma - Tel 08-402 42 50 - Fax 08-26 80 50 - sales@megacon.se - www.megacon.se



# User Manual

## MultiLog G2

### Indicators

The MultiLog G2 is equipped with several LED-indicators to simplify the installation control. The purpose of these LED's is:

- ✓ Power LED: Indicates that the device is powered up.
- ✓ Input LED: Each S0-standard input is equipped with individual LED, which indicates a detected pulse.
- ✓ PKD LED: Indicates that the device have detected a communication data package.
- ✓ BIU LED: Indicates that the communication band is in use when a data package has been transmitted.
- ✓ Service LED: Indicates different state or configuration mode generated by service PIN.

### Installation

**Service PIN:** Used for indication of status and configuration as follows:

- ✓ Short press: This will indicate on the service LED that the MultiLog G3T is powered and ready to be used. It will also broadcast its Neuron ID.
- ✓ Press and hold for 10 seconds (all input LED will light up), followed by three short press: This will force the device to erase all configuration data and information. The manufacturers default settings will be loaded.

**In 1 ... In 8:** Meter pulse inputs, either zero potential S0 pulse inputs (relay contact) or solid state/transistor S0 pulse inputs – these will be polarity sensitive.

**Event:** Event input, either zero potential S0 pulse input (relay contact) or solid state/transistor S0 pulse inputs – these will be polarity sensitive.

**12VDC:** 12VDC regulated power supply, must not be connected together with normal mains power supply 100VAC – 3x400VAC, 50-60Hz.

**Relay:** Zero potential relay output.

**PLC-L and PLC-N:** Power line communication outputs. Please refer to page 3 for proper installation/usage.

**L1, L2, L3 and N:** Main power supply connections. Please refer to page 3 for correct installation/usage.

Megacon AB

Ranhammarsvägen 20 - 168 67 Bromma - Tel 08-402 42 50 - Fax 08-26 80 50 - sales@megacon.se - www.megacon.se



# User Manual

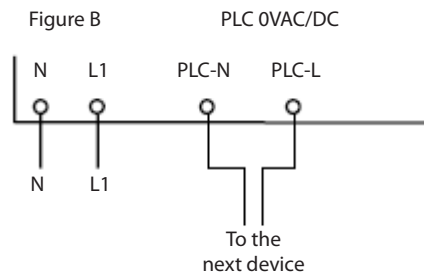
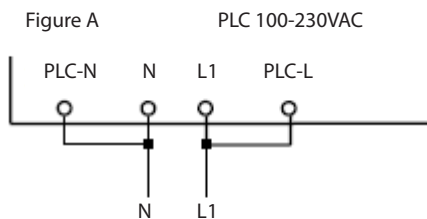
## MultiLog G2

**Caution! Disconnect all power sources from the instrument before pursuing.**

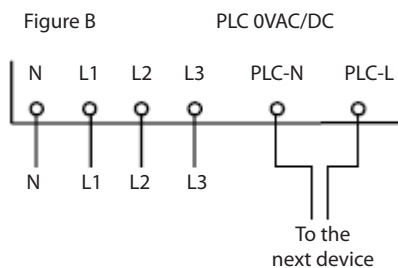
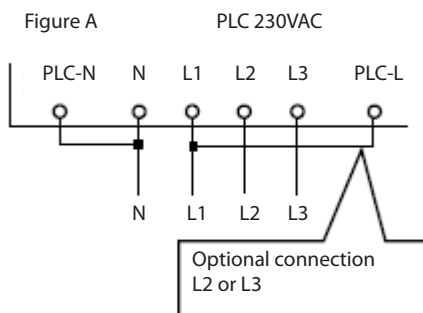
### Warnings

- ✓ Maximum 230VAC Nominal between PLC-N and PLC-L.
- ✓ The manufacturer will not be held responsible if the equipment is used in a manner not specified.
- ✓ A switch or circuit-breaker shall be included in the building installation.
  - ↳ It shall be in close proximity to the equipment and within easy reach of the OPERATOR.
  - ↳ It shall be marked as the disconnecting device for the equipment.

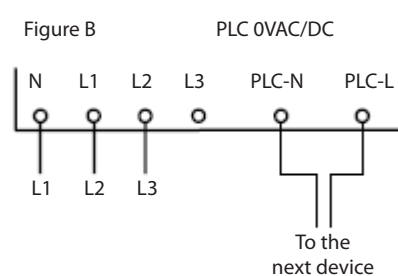
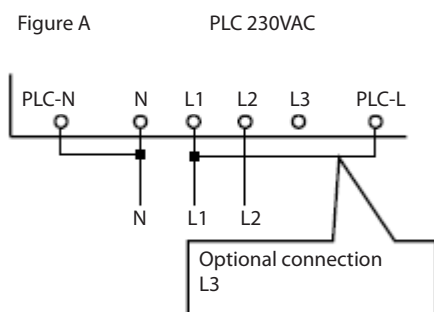
Single phase N, L1 (1× 230VAC):



Three phase N, L1, L2, L3 (3× 400VAC):



Three phase L1, L2, L3 (3× 230VAC):



Megacon AB

Ranhammarsvägen 20 - 168 67 Bromma - Tel 08-402 42 50 - Fax 08-26 80 50 - sales@megacon.se - www.megacon.se