

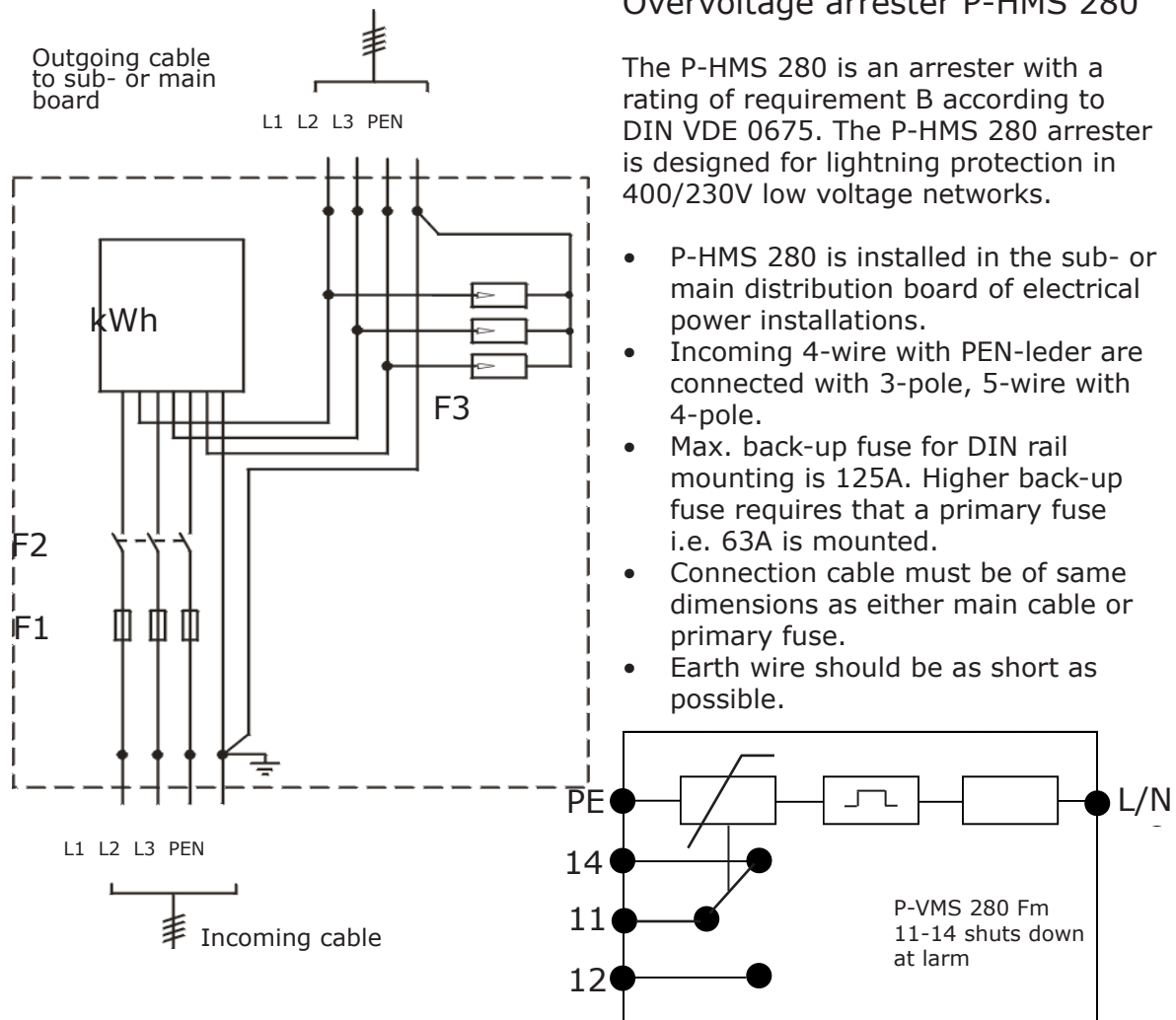
Installation guide

Overvoltage protector P-HMS

Overvoltage arrester P-HMS 280

The P-HMS 280 is an arrester with a rating of requirement B according to DIN VDE 0675. The P-HMS 280 arrester is designed for lightning protection in 400/230V low voltage networks.

- P-HMS 280 is installed in the sub- or main distribution board of electrical power installations.
- Incoming 4-wire with PEN-leader are connected with 3-pole, 5-wire with 4-pole.
- Max. back-up fuse for DIN rail mounting is 125A. Higher back-up fuse requires that a primary fuse i.e. 63A is mounted.
- Connection cable must be of same dimensions as either main cable or primary fuse.
- Earth wire should be as short as possible.



- F1 = Main fuse
- F2 = Main circuit breaker
(in five-wire systems a 4-pole breaker should be used)
- F3 = Overvoltage arrester
- L1, L2, L3 = Phase wire
- PEN = Combined earth and neutral
- = Main meter panel